

Section 11

# Contain-It™ Secondary Containment Piping System



## Glossary

S	=	Contain-It™ Socket
SPG	=	Spigot End (same dimension as pipe outside diameter)
MPT	=	Male Pipe Thread
FPT	=	Female Pipe Thread

Product Line	Description
--------------	-------------

39	Fittings
41	Pipe
42	Accessories

The technical information given in this publication implies no warranty of any kind and is subject to change without notice. Please consult our Terms and Conditions of Sale.

### Not for Use with Compressed Air or Gases

#### DO NOT TEST with Air or Air over Water

GF Piping Systems DOES NOT RECOMMEND the use of thermoplastic piping products for systems to transport or store compressed air or gases, or the testing of thermoplastic piping systems with compressed air or gases in above or below ground locations. The use of GF Piping products in compressed air or gas systems automatically voids the warranty for such products, and their use against our recommendation is entirely the responsibility and liability of the installer. GF will not accept responsibility for damage or impairment from its products, or other consequential or incidental damages caused by misapplication, incorrect assembly, and/or exposure to harmful substances or conditions. The only exception to this recommendation is when testing the Contain-It™ Secondary System or the Fuseal Squared™ Double Containment Piping System's containment joints.



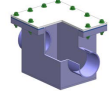
Contain-It Pipe

350



Contain-It Fittings

351



Contain-It Valve Box

355

Contain-It Flange Box

356



Contain-It Terminations

357



Contain-It Centralizers

360



Contain-It Accessories

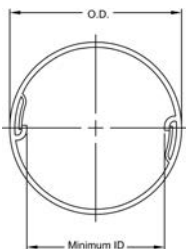
362



Leak Detection

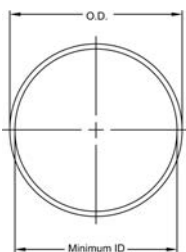
365

# Contain-It Pipe



## Split Pipe

Size (inch)	Lift Qty (ft)	lengths (ft)	Part No.	O.D. (inch)	Minimum I.D. (inch)
3	480	10	* 37L015030	3.548	2.743
4	360	10	* 37L015040	4.215	3.525
6	120	10	* 37L015060	6.275	5.375



## Solid Pipe

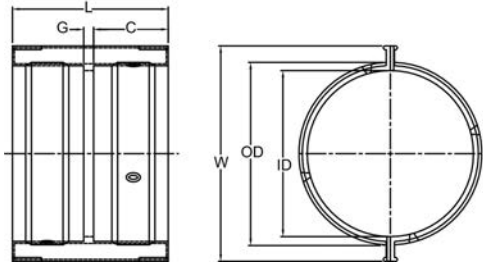
Size (inch)	Lift Qty (ft)	lengths (ft)	Part No.	O.D. (inch)	Minimum I.D. (inch)
3	720	20	* 37L026030	3.548	3.248
4	560	20	* 37L026040	4.215	3.882
6	360	20	* 37L026060	6.275	5.782

# Contain-It Fittings



## Containment Coupling - Standard, Split (S x S)

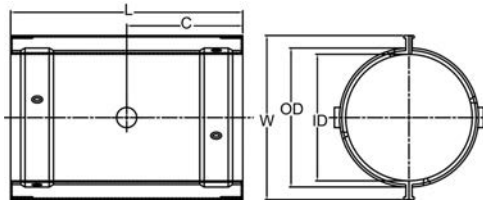
Size (inch)	Part No.	C (inch)	G (inch)	L (inch)	W (inch)	O.D. (inch)	I.D. (inch)
3	<b>4629-030</b>	2.00	0.38	4.38	5.04	3.96	3.55
4	<b>4629-040</b>	2.00	0.38	4.38	5.81	4.69	3.88
6	<b>4629-060</b>	2.75	0.38	5.81	8.19	6.88	5.97



## Containment Coupling - Extended, Split (S x S)

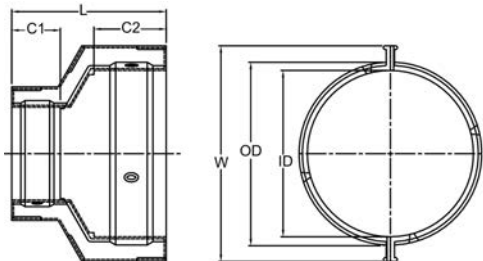
Maximum Gap: 5.50"

Size (inch)	Part No.	C (inch)	L (inch)	W (inch)	O.D. (inch)	I.D. (inch)
3	<b>4629-030E</b>	4.50	9.00	5.04	3.96	3.55
4	<b>4629-040E</b>	5.00	10.00	5.81	4.69	3.88
6	<b>4629-060E</b>	5.75	11.50	8.19	6.88	5.97



## Containment Coupling - Reducing, Split (S x S)

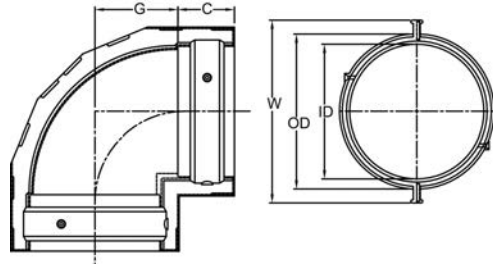
Size (inch)	Part No.	C1 (inch)	C2 (inch)	L (inch)	W (inch)	O.D. (inch)	I.D. (inch)
6 x 4	<b>4629-532</b>	2.00	2.75	5.81	8.19	6.88	5.97





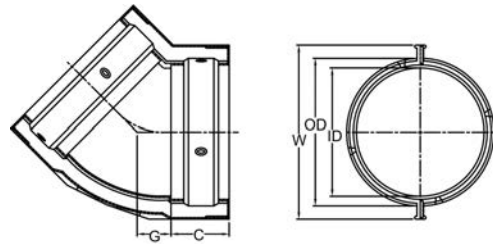
### Containment 90° Ell, Split (SxS)

Size (inch)	Part No.	C (inch)	G (inch)	W (inch)	O.D. (inch)	I.D. (inch)
3	<b>4606-030</b>	2.00	2.44	5.81	4.69	3.88
4	<b>4606-040</b>	2.00	2.44	5.81	4.69	3.88
6	<b>4606-060</b>	2.75	3.38	8.19	6.88	5.97



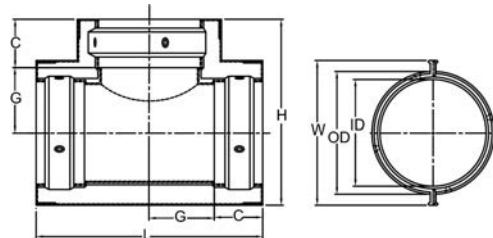
### Containment 45° Ell, Split (S x S)

Size (inch)	Part No.	C (inch)	G (inch)	W (inch)	O.D. (inch)	I.D. (inch)
3	<b>4617-030</b>	2.00	2.00	5.04	3.96	3.55
4	<b>4617-040</b>	2.00	1.00	5.81	4.69	3.88
6	<b>4617-060</b>	2.75	1.75	8.19	6.88	5.97



### Containment Tee, Split (S x S x S)

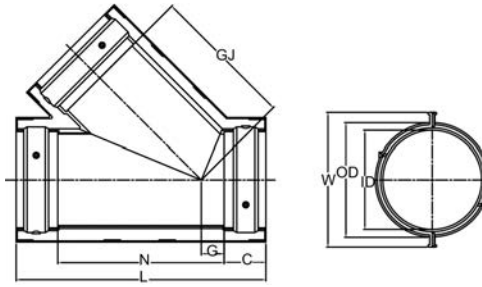
Size (inch)	Part No.	C (inch)	G (inch)	H (inch)	L (inch)	W (inch)	O.D. (inch)	I.D. (inch)
3	<b>4601-030</b>	2.00	2.00	6.50	8.00	5.05	4.00	3.55
4	<b>4601-040</b>	2.00	2.40	7.20	8.65	5.70	4.70	4.22
6	<b>4601-060</b>	2.75	3.50	10.25	12.50	8.10	6.85	6.29





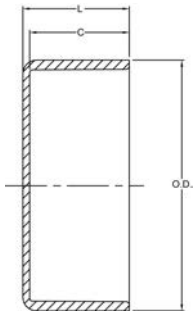
**Containment 45° Wye, Split (S x S x S)**

Size (inch)	Part No.	C (inch)	G (inch)	GJ (inch)	L (inch)	N (inch)	W (inch)	O.D. (inch)	I.D. (inch)
4	<b>4683-040</b>	2.00	0.75	5.88	11.00	7.13	5.81	4.69	3.88
6	<b>4683-060</b>	2.75	1.81	7.75	15.19	9.75	8.19	6.88	5.97



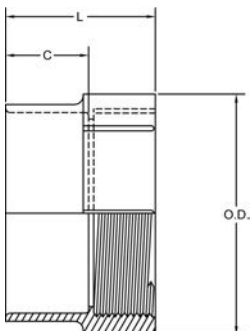
**Containment Cap, One Piece (S)**

Size (inch)	Part No.	C (inch)	L (inch)	O.D. (inch)
4	<b>4647-040</b>	1.75	1.94	4.50
6	<b>4647-060</b>	2.75	3.19	6.75



**Containment Female Adapter, One Piece (S x FPT)**

Size (inch)	Part No.	C (inch)	L (inch)	O.D. (inch)
4	<b>4635-040</b>	1.75	3.18	5.00
6	<b>4635-060</b>	3.00	5.00	6.75





### Plug, One Piece (MPT)

Size (inch)	Part No.
4	4650-040
6	4650-060



### Adapter Sleeve, One Piece

- 3"x3" (IPS S x S)
- 4"x4" and 6"x6" (IPS SPG x S)

Size (inch)	Part No.
3 x 3	4687-030
4 x 4	4687-040
6 x 6	4687-060



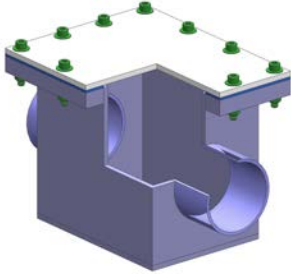
### Containment PPFR Floor Drain, One Piece (IPS Spg x MPT)

For use with Fuseal primary piping only.  
Must use 4635-060 for Contain-It transition.

Size (inch)	Part No.
3 x 6	* 46104-530
4 x 6	* 46104-532



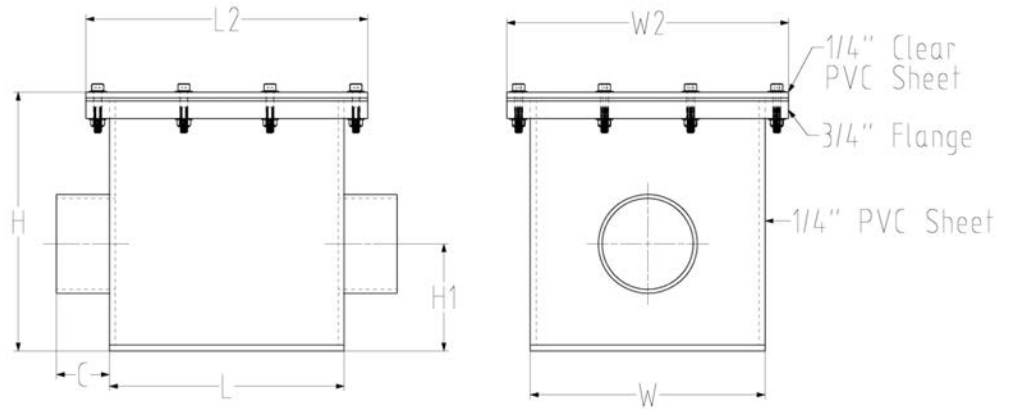
# Contain-It Valve Box



## Valve Box

Not Pressure Rated. Pressure Testing Not Recommended.

Size (inch)	Part No.	W (inch)	H (inch)	H1 (inch)	C (inch)	L (inch)	L2 (inch)	W2 (inch)
3	* 150 991 104	10	8	3.46	2.25	8	10	8
4	* 150 991 105	10	11	4.56	2.25	10	12	12
6	* 150 991 106	18	15	6.17	3.00	18	20	20

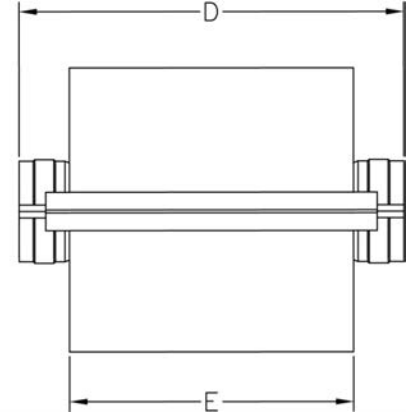
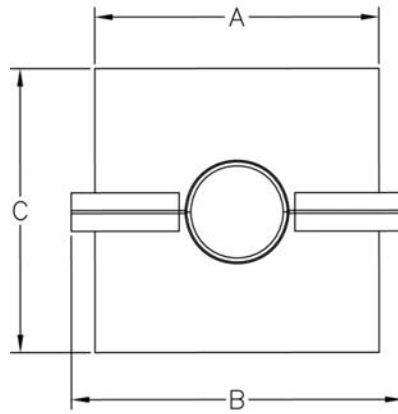


# Contain-It Flange Box

## Flange Box

Not Pressure Rated. Pressure Testing Not Recommended.

Size (inch)	Part No.	A (inch)	B (inch)	C (inch)	D (inch)	E (inch)
3	* 150 991 100	10.0	12.0	10.3	14.3	10.0
4	* 150 991 101	12.0	14.0	12.0	16.5	12.0
6	* 150 991 102	12.0	14.0	12.0	16.5	12.0

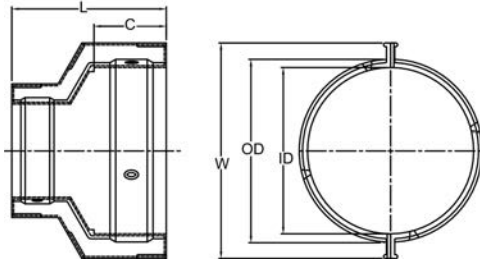


# Contain-It Terminations



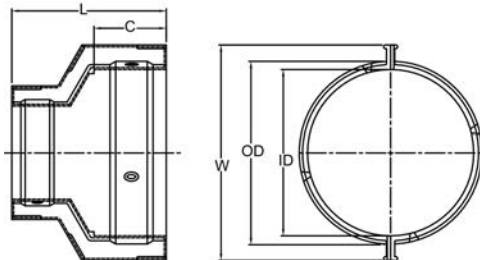
Termination Fitting - Rigid PVC, Split (S to IPS)

Size (inch)	Part No.	C (inch)	L (inch)	W (inch)	O.D. (inch)	I.D. (inch)
3 x 1/2	*4628-333	2.00	4.38	5.04	3.96	3.55
3 x 3/4	*4628-334	2.00	4.38	5.04	3.96	3.55
3 x 1	*4628-335	2.00	4.38	5.04	3.96	3.55
3 x 1 1/4	*4628-336	2.00	4.38	5.04	3.96	3.55
3 x 1 1/2	*4628-337	2.00	4.38	5.04	3.96	3.55
3 x 2	*4628-338	2.00	4.38	5.04	3.96	3.55
4 x 1/2	*4628-415	2.00	4.44	5.81	4.69	3.88
4 x 3/4	*4628-416	2.00	4.44	5.81	4.69	3.88
4 x 1	*4628-417	2.00	4.44	5.81	4.69	3.88
4 x 1 1/4	4628-418	2.00	4.44	5.81	4.69	3.88
4 x 1 1/2	4628-419	2.00	4.44	5.81	4.69	3.88
4 x 2	4628-420	2.00	4.44	5.81	4.69	3.88
6 x 2	4628-528	2.75	5.81	8.19	6.88	5.97
6 x 2 1/2	4628-529	2.75	5.81	8.19	6.88	5.97
6 x 3	4628-530	2.75	5.81	8.19	6.88	5.97
6 x 4	4628-532	2.75	5.81	8.19	6.88	5.97



Test Termination Fitting - Rigid PVC, Split (S to IPS)

Size (inch)	Part No.	C (inch)	L (inch)	W (inch)	O.D. (inch)	I.D. (inch)
4 x 1	*4628-417T	2.00	4.44	5.81	4.69	3.88
4 x 2	4628-420T	2.00	4.44	5.81	4.69	3.88
6 x 3	*4628-530T	2.75	5.81	8.19	6.88	5.97
6 x 4	4628-532T	2.75	5.81	8.19	6.88	5.97





### Termination Fitting - Flexible Alcryn, One Piece

Contain-It to IPS/Metric

Size (inch)	Size	Part No.
3 x 1/2	20	4628-333A
3 x 3/4	25	4628-334A
3 x 1	32	4628-335A
3 x 1 1/4	40	4628-336A
3 x 1 1/2	50	4628-337A
3 x 2	63	4628-338A
4 x 1/2	20	4628-415A
4 x 3/4	25	4628-416A
4 x 1	32	4628-417A
4 x 1 1/4	40	4628-418A
4 x 1 1/2	50	4628-419A
4 x 2	63	4628-420A
6 x 2 1/2	75	4628-529A
6 x 3	90	4628-530A
6 x 4	110	4628-532A



### Test Termination Fitting - Flexible Alcryn, One Piece

Contain-It to IPS/Metric

Size (inch)	Size	Part No.
3 x 1/2	20	4628-333AT
3 x 3/4	25	4628-334AT
3 x 1	32	4628-335AT
3 x 1 1/4	40	4628-336AT
3 x 1 1/2	50	4628-337AT
3 x 2	63	4628-338AT
4 x 1/2	20	4628-415AT
4 x 3/4	25	4628-416AT
4 x 1	32	4628-417AT
4 x 1 1/4	40	4628-418AT
4 x 1 1/2	50	4628-419AT
4 x 2	63	4628-420AT
6 x 2 1/2	75	4628-529AT
6 x 3	90	4628-530AT
6 x 4	110	4628-532AT



### Termination Fitting - Flexible Alcryn, One Piece

Contain-It to Copper Tube Size

Size (inch)	Part No.
3 x ½	4628-333AC
3 x ¾	4628-334AC
3 x 1	4628-335AC
3 x 1 ¼	4628-336AC
3 x 1 ½	4628-337AC
3 x 2	4628-338AC
4 x ½	4628-415AC
4 x ¾	4628-416AC
4 x 1	4628-417AC
4 x 1 ¼	4628-418AC
4 x 1 ½	4628-419AC
4 x 2	4628-420AC
6 x 2	4628-528AC
6 x 2 ½	4628-529AC
6 x 3	4628-530AC
6 x 4	4628-532AC



### Test Termination Fitting - Flexible Alcryn, One Piece

Contain-It to Copper Tube Size

Size (inch)	Part No.
3 x ½	4628-333ATC
3 x ¾	4628-334ATC
3 x 1	4628-335ATC
3 x 1 ¼	4628-336ATC
3 x 1 ½	4628-337ATC
3 x 2	4628-338ATC
4 x ½	4628-415ATC
4 x ¾	4628-416ATC
4 x 1	4628-417ATC
4 x 1 ¼	4628-418ATC
4 x 1 ½	4628-419ATC
4 x 2	4628-420ATC
6 x 2	4628-528ATC
6 x 2 ½	4628-529ATC
6 x 3	4628-530ATC
6 x 4	4628-532ATC

# Contain-It Centralizers



## Centralizer (Contain-It x IPS)

Size (inch)	d (inch)	Part No.
3 x 1/2		* 4686-333
3 x 3/4		* 4686-334
3 x 1		* 4686-335
3 x 1 1/4		* 4686-336
3 x 1 1/2		* 4686-337
3 x 2		* 4686-338
4 x 1/2		* 4686-415
4 x 3/4		* 4686-416
4 x 1		* 4686-417
4 x 1 1/4		* 4686-418
4 x 1 1/2		* 4686-419
4 x 2		* 4686-420
6 x 2 1/2		* 4686-529
6 x 3		* 4686-530
6 x 4		* 4686-532
6 x 1/2	Twin	* 4686-811
6 x 3/4	Twin	* 4686-813
6 x 1	Twin	* 4686-815



## Centralizer (Contain-It x Copper Tube Size)

Size (inch)	Part No.
3 x 1/2	* 4686-333C
3 x 3/4	* 4686-334C
3 x 1	* 4686-335C
3 x 1 1/4	* 4686-336C
3 x 1 1/2	* 4686-337C
3 x 2	* 4686-338C
4 x 1/2	* 4686-415C
4 x 3/4	* 4686-416C
4 x 1	* 4686-417C
4 x 1 1/4	* 4686-418C
4 x 1 1/2	* 4686-419C
4 x 2	* 4686-420C
6 x 2	* 4686-528C
6 x 2 1/2	* 4686-529C
6 x 3	* 4686-530C
6 x 4	* 4686-532C



### Centralizer (Contain-It x Metric)

Size (inch)	d (inch)	Part No.
3 x 20		<b>4686-707</b>
3 x 25		<b>4686-708</b>
3 x 32		<b>4686-709</b>
3 x 40		<b>4686-710</b>
3 x 50		<b>4686-711</b>
4 x 20		<b>* 4686-712</b>
4 x 25		<b>* 4686-713</b>
4 x 32		<b>* 4686-714</b>
4 x 40		<b>* 4686-715</b>
4 x 50		<b>* 4686-716</b>
4 x 63		<b>* 4686-717</b>
6 x 75		<b>* 4686-719</b>
6 x 90		<b>* 4686-720</b>
6 x 110		<b>* 4686-721</b>
6 x 20	Twin	<b>* 4686-812</b>
6 x 25	Twin	<b>* 4686-814</b>
6 x 32	Twin	<b>* 4686-816</b>

# Contain-It Accessories



## Fitting Clip

Size (inch)	Part No.
3, 4 & 6	* 4693-101



## Pipe Clamp

Size (inch)	Part No.
4 & 6	* 4693-102



## Drill Bits

Size (inch)	Part No.
3 & 4	* 4693-104
6	* 4693-106



## Test Gauge

Do Not Exceed 5 PSI Air Pressure

Size (inch)	Part No.
3, 4 & 6	* 4693-150



# System III



## Manual Injection Gun - System III

- Available March 1, 2017
- Mixing Tips not included

d (inch)	Part No.
3, 4 & 6	* 4694-600



## Pneumatic Injection Gun - System III

- Available March 1, 2017
- Mixing Tips not included

d (inch)	Part No.
3, 4 & 6	* 4694-601



## Adhesive Cartridge - System III

- Available March 1, 2017
- Price is for each cartridge
- Limited Shelf Life of 12 Months
- Mixing Tips not included

d (inch)	Part No.
3, 4 & 6	* 4694-602



## Mixing Tips - System III

- Available March 1, 2017

Description	Part No.
Straight	* 4694-603
Bent	* 4694-607
Flexible	* 4694-606



## Injection Gun Conversion Kits - System III

- Available March 1, 2017
- Converts System II Injection Gun to System III

Description	Part No.
Manual	* 37X004820
Pneumatic	* 37X004821

# System II



## Manual Injection Gun - System II

Mixing Tips not included

d (inch)	Part No.
3, 4 & 6	* 4694-200



## Pneumatic Injection Gun - System II

Mixing Tips not included

d (inch)	Part No.
3, 4 & 6	* 4694-201



## Adhesive Cartridge - System II

- Limited Shelf Life of 18 Months
- Mixing Tips not included
- Price is for each cartridge

d (inch)	Part No.
3, 4 & 6	* 4694-302



## Mixing Tips - System II

Description	Part No.
Straight	* 4694-303
Bent	* 4694-307
Flexible	* 4694-306

# Leak Detection

A



## Low Point Leak Detection Alarm Box

- Visual alarm indicators
- Powered on lithium batteries
- Alarm box does not include sensors
- No output option

Description	Part No.
4 Sensor Signal Leak Detection Alarm Box	<b>150 240 001</b>

A



## Low Point Leak Detection System

- 12 point leak detection system
- 14" x 12" NEMA 4 Enclosure with locking latches.
- Internal fusible breaker for power protection.
- (12) Red LED indicators for leak detection at a specific points.
- RS485 Communications for building automation.
- Alarm output terminals for remote alarm indication.
- Optional audible alarm available.
- Other options available upon request.

Description	Part No.
12 Point Leak Detection System	<b>150 000 060</b>

A



## Continuous Cable Leak Detection System

- Dimensions: 13.75" x 11.81" x 4.00" (350mm x 300mm x 102mm) Type 12 (IP52)
- Power: 110-240VAC, 50/60 Hz, 0.3 A/50 VA 24 VDC, 1 A/24 VA
- Accepts probe and cable sensors in one sensor string

	Maximum Cable Range (ft)	Cable Capacity	Part No.
*	3000	1	<b>150 000 061</b>
*	7500	1	<b>150 000 064</b>
*	7500	4	<b>150 000 065</b>

# System III Adhesive Requirements

System III Contain-It™ Cartridge	Fittings/Pipe	# of Sockets/Tube
1 cartridge	3" fittings	14
1 cartridge	4" fittings	12
1 cartridge	6" fittings	9
1 cartridge	3" pipe	20 ft. length, both sides
1 cartridge	4" pipe	17 ft. length, both sides
1 cartridge	6" pipe	9 ft. length, both sides

## System III Adhesive Cartridge Requirements Calculation

This table is designed to assist in the accurate determination of the number of System III adhesive cartridges required for a specific project.

<b>Fittings</b>		
Quantity of 3" Tees and Wyes	_____ × 3 = _____	
Quantity of 3" Fittings (other than tees and wyes)	_____ × 2 = _____	
		_____ /14 = _____
Quantity of 4" Tees and Wyes	_____ × 3 = _____	
Quantity of 4" Fittings (other than tees and wyes)	_____ × 2 = _____	
		_____ /12 = (+) _____
Quantity of 6" Tees and Wyes	_____ × 3 = _____	
Quantity of 6" Fittings (other than tees and wyes)	_____ × 2 = _____	
		_____ /9 = (+) _____
<b>Split Pipe</b>		
_____ Feet 3" Split Pipe/20 (1 cartridge will fill 20 ft., both sides)		= (+) _____
_____ Feet 4" Split Pipe/17 (1 cartridge will fill 17 ft., both sides)		= (+) _____
_____ Feet 6" Split Pipe/9 (1 cartridge will fill 9 ft., both sides)		= (+) _____
<b>TOTAL CARTRIDGES</b>		_____

## System II Adhesive Requirements

System II Contain-It™ Cartridge	Fittings/Pipe	# of Sockets/Tube
1 cartridge	3" fittings	16
1 cartridge	4" fittings	14
1 cartridge	6" fittings	10
1 cartridge	3" pipe	23 ft. length, both sides
1 cartridge	4" pipe	20 ft. length, both sides
1 cartridge	6" pipe	10 ft. length, both sides

### System II Adhesive Cartridge Requirements Calculation

This table is designed to assist in the accurate determination of the number of System II adhesive cartridges required for a specific project.

<b>Fittings</b>		
Quantity of 3" Tees and Wyes	_____ × 3 = _____	
Quantity of 3" Fittings (other than tees and wyes)	_____ × 2 = _____	
		_____ /16 = _____
Quantity of 4" Tees and Wyes	_____ × 3 = _____	
Quantity of 4" Fittings (other than tees and wyes)	_____ × 2 = _____	
		_____ /14 = (+) _____
Quantity of 6" Tees and Wyes	_____ × 3 = _____	
Quantity of 6" Fittings (other than tees and wyes)	_____ × 2 = _____	
		_____ /10 = (+) _____
<b>Split Pipe</b>		
_____ Feet 3" Split Pipe/23 (1 cartridge will fill 23 ft., both sides)		= (+) _____
_____ Feet 4" Split Pipe/20 (1 cartridge will fill 20 ft., both sides)		= (+) _____
_____ Feet 6" Split Pipe/10 (1 cartridge will fill 10 ft., both sides)		= (+) _____
	<b>TOTAL CARTRIDGES</b>	_____